

# SENCO®

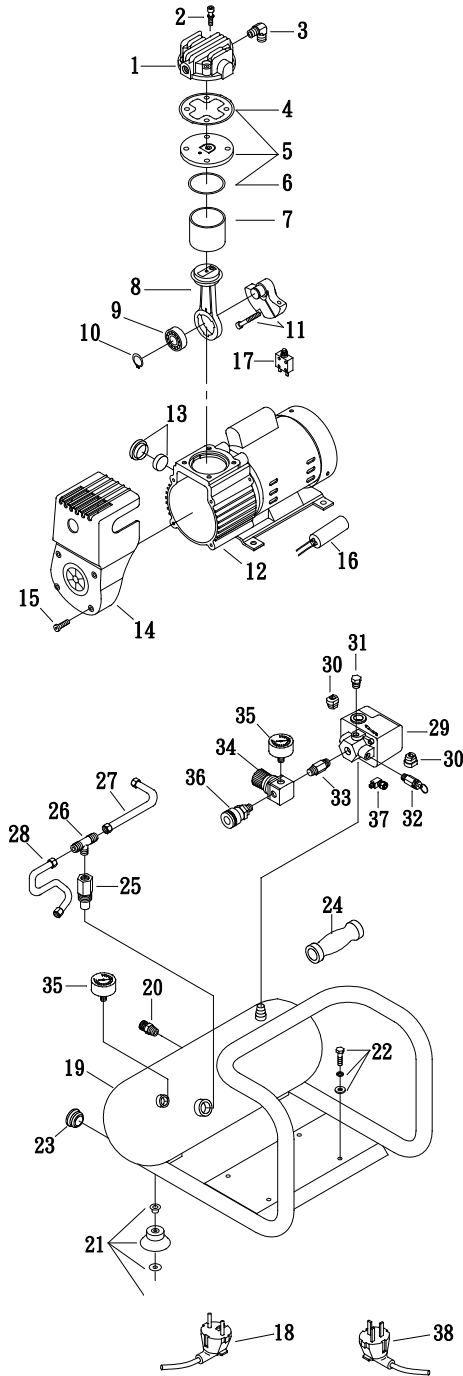
# PC1010

## 1/2 HP Electric Air Compressor

### Parts Reference Guide



MODEL : PC1010EU



| Ref. No.  | Description  | Part No.             | Qty.     |
|-----------|--|----------------------|----------|
| <b>1</b>  | <b>Cylinder head</b>                                     | <b>3101063A</b>      | <b>1</b> |
| 2         | Allen bolt set   | 3B01-M05*060V        | 4        |
| 3         | Exhaust elbow  | 2N06-01T02H          | 1        |
| 4         | Cylinder head gasket                                     | 2G01-025H            | 1        |
| 5         | Exhaust valve assembly                                   | 3B11-DC02A           | 1        |
| 6         | Valve seat gasket  | 2G03-018             | 1        |
| 7         | Cylinder   | 3201068              | 1        |
| 8         | Rod assembly   | 3B3-MB02             | 1        |
| 9         | Bearing  | 2N35-6201ZZC3        | 1        |
| 10        | Clip   | 2N42-S12             | 1        |
| 11        | Crankshaft & balancer                                    | 3304086              | 1        |
| 12        | Motor set (230V)   | 3B8-MB0206S          | 1        |
|           | Motor set (110V)   | 3B8-MB0210S          | 1        |
| <b>13</b> | <b>Air filter set</b>                                    | <b>2140026</b>       | <b>1</b> |
| <b>14</b> | <b>Shroud</b>  | <b>2428015</b>       | <b>1</b> |
| 15        | Bol t  | 2B02-FM4*015B        | 4        |
| <b>16</b> | <b>Running capacitor (230V)</b>                          | <b>2E27-004F4525</b> | <b>1</b> |
|           | Running capacitor (110V)                                 | 2E27-016F2530        | 1        |
| 17        | Circuit breaker (230V)                                   | 2E25-01AS            | 1        |
|           | Circuit breaker (110V)                                   | 2E25-05A             | 1        |
| 18        | Power cable (2 Pin)                                      | 2E01-029S            | 1        |
| 19        | Air tank   | 34011740             | 1        |
| <b>20</b> | <b>Drain valve</b>                                       | <b>2405012</b>       | <b>1</b> |
| 21        | Rubber pad set   | 3433011-ARS          | 4        |
| 22        | Hexagon bolt set   | 3B00-FM06*012RS      | 4        |
| 23        | Plug   | 2N32-W07RS           | 2        |
| <b>24</b> | <b>Grip</b>  | <b>2432107</b>       | <b>1</b> |
| <b>25</b> | <b>Check valve</b>                                       | <b>2414033A</b>      | <b>1</b> |
| 26        | Unloading 3-way pipe                                     | 2N09-02H01T02H4      | 1        |
| 27        | Unloading tube   | 3B2-02*190F          | 1        |
| 28        | Discharge tube   | 2T02-02*0260RS       | 1        |
| 29        | Pressure switch  | 2E21-AA256BPS        | 1        |
| 30        | Strain relief bushing                                    | 2E04-008             | 2        |
| 31        | Plug   | 2N33-009             | 1        |
| <b>32</b> | <b>Pressure relief valve</b>                             | <b>2406021A</b>      | <b>1</b> |
| 33        | Nipple   | 2N01-058RS           | 1        |
| <b>34</b> | <b>Regulator</b>   | <b>2408008RNX</b>    | <b>1</b> |
| 35        | Pressure gauge   | 2D12-15D14BAR        | 2        |
| 36        | Quick coupler (PC1010EU only)                            | 07S1/4M-ERS          | 1        |
|           | Quick coupler (For PC1010EU combo kit, PC1010S,6PR2001N) | 070S1/4M-C           | 1        |
| <b>37</b> | <b>Unloading valve</b>                                   | <b>2409015</b>       | <b>1</b> |
| 38        | Power cable(3Pin)  | 2E01-044S            | 1        |

PC1010 • Revised April 01, 2021 (Replaces 2/10/2016)

© 2021 by Kyocera Senco Europe